



## LUCENT ESC2064

Supply Voltage	220-240VAC   50-60Hz
Wattage	6W
Battery Specifications	6V 4.5Ah Lead Acid Battery
Light Source	2x10pcs LED
Emergency Time	3 hours
Charging Time	24 hours
Emergency Mode	Non Maintained
Operating Temperature	-10°-45°C
Mounting Options	Wall Mount/Ceiling Mount
Luminous Flux	220lm
Color Temperature	6000-6500k
IP Rating	IP44
Material	Fire retardant ABS housing
Product dimensions (In mm)	317x139.7x95.2



IP 44



Light Source  
LED



UL  
Listed



Recycle as  
appropriate



-10°-45°C



3 hours

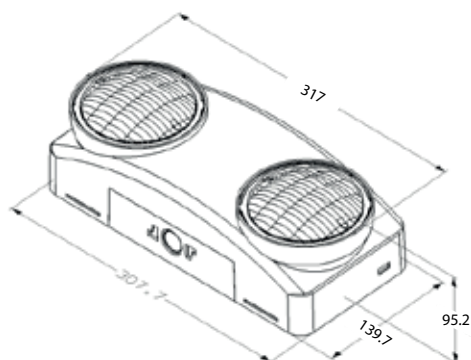
### Key Features:

- High precision moulding, fire retardant ABS housing
- Innovative design, Universal mounting
- Uses highly active LED light source
- High brightness, Long life
- Adjustable round shaped light
- Rated to IP44

### Ordering Codes:

ESC2064 -  
Emergency luminaire, Wall/Ceiling Mount

Product Size: (L X W X H)



Specifications are subject to change without notice.

For further information, please contact:

Teknoware Middle East FZCO,

#601, 4WA, DAFZA, Dubai, United Arab Emirates.

Tel.: +971 4 299 3622 | Fax.: + 971 4 299 3623 | info@teknoware.ae