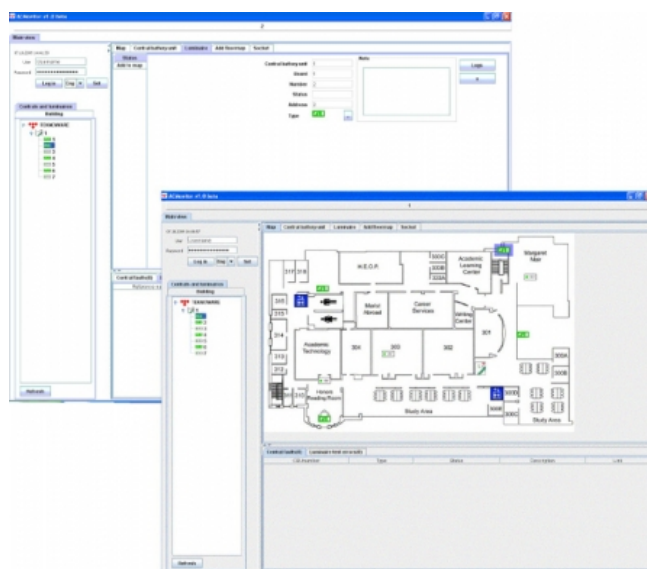


ACM Advanced Central Monitoring TST5131



ACM Software for addressable Central Battery Units

Teknoware's Advanced Central Monitoring (ACM) is a centralized remote monitoring system, using a separate network, for Teknoware's addressable central battery systems.

ACM uses RS485 protocol, which enables up to 1 km distance between the central battery panel and the computer. 1-150 central battery panels can be connected into a single ACM system.

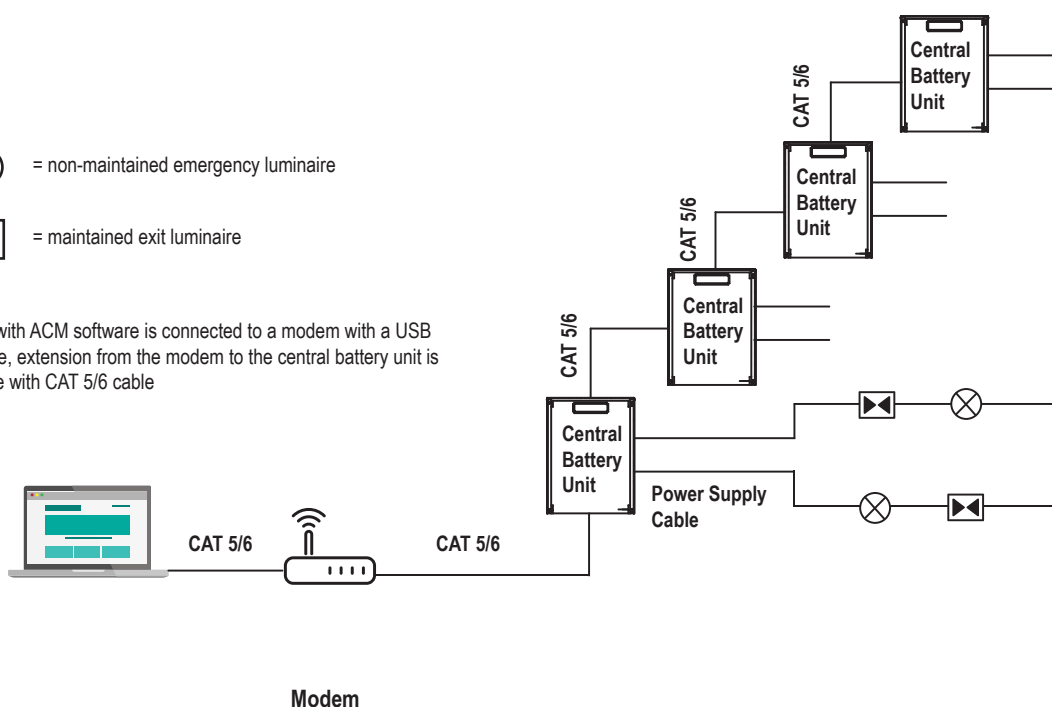
The condition of the central battery systems and the luminaires can be seen from the screen of the ACM remote management system software. The user may also run luminaire and battery tests. ACM automatically saves a test log book in accordance with the standard EN 50172.

From the computer with ACM, it is possible to connect e.g. to a building automation system using BACnet.

⊗ = non-maintained emergency luminaire

◻ = maintained exit luminaire

PC with ACM software is connected to a modem with a USB cable, extension from the modem to the central battery unit is done with CAT 5/6 cable



We reserve the rights to make modifications without notice.
Copyright © 2024 Teknoware. All rights reserved.
Date: January 17, 2024 | Source:
www.teknoware.com/en/emergency-lighting/acm-pc-software-tst5131



Teknoware Oy | P.O. Box 19, 15101 Lahti | Ilmarisentie 8, 15200 Lahti Finland
Tel +358 3 883 020 | VAT-number FI01494751 | teknoware.com | emexit@teknoware.com

Product Code	TST5131
Customs Code	94056080
GTIN Code	6438045019543
ETIM Product Class	EC002537

ACM ADVANCED CENTRAL MONITORING SOFTWARE



Product Code	Product Name	Compatible Product Groups
TST6721	ACM Interface TST6721	TKT67C/TKX67C Central Battery Systems
TST6621	ACM Interface TST6621	TKT66C/TKX66C Central Battery Systems
TST6521	ACM Interface TST6521	TKT65C/TKX65C Central Battery Systems

We reserve the rights to make modifications without notice.
 Copyright © 2024 Teknoware. All rights reserved.
 Date: January 17, 2024 | Source:
www.teknoware.com/en/emergency-lighting/acm-pc-software-tst5131



Teknoware Oy | P.O. Box 19, 15101 Lahti | Ilmarisentie 8, 15200 Lahti Finland
 Tel +358 3 883 020 | VAT-number FI01494751 | teknoware.com | emexit@teknoware.com